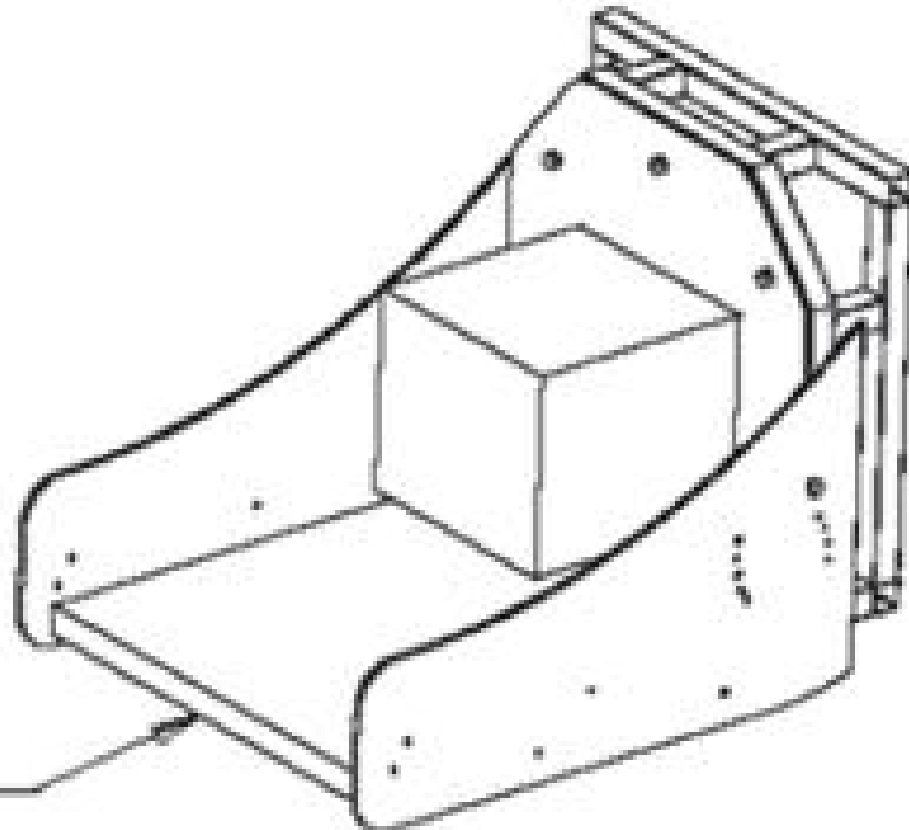


EXAMPLES OF IMPACT ATTENUATOR TEST SETUPS





REPRESENTATIVE
WING ELEMENT